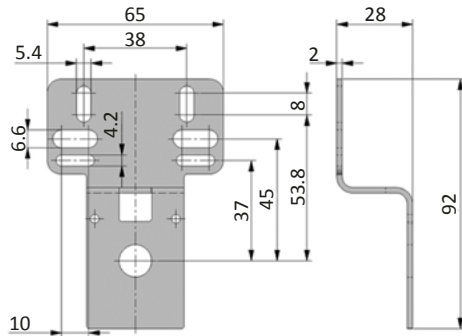


Bracket kit WYP

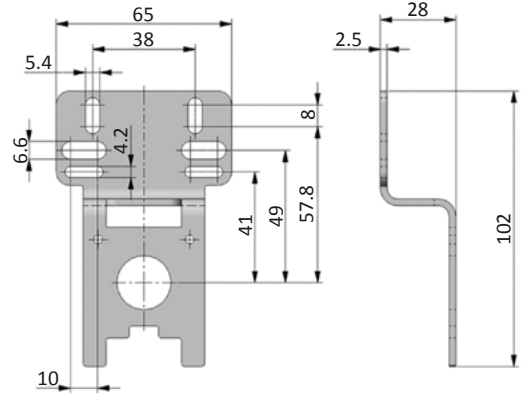
Bracket kit made of zinc coated steel.

The bracket can be mounted at the rear side after removing the rear cover of the unit. The 2 mounting screws are included.

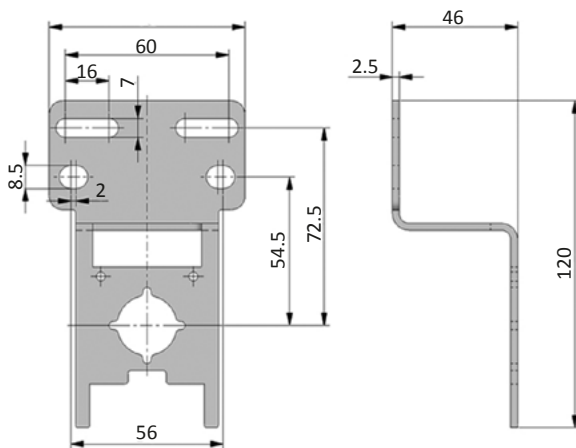
WYP-00



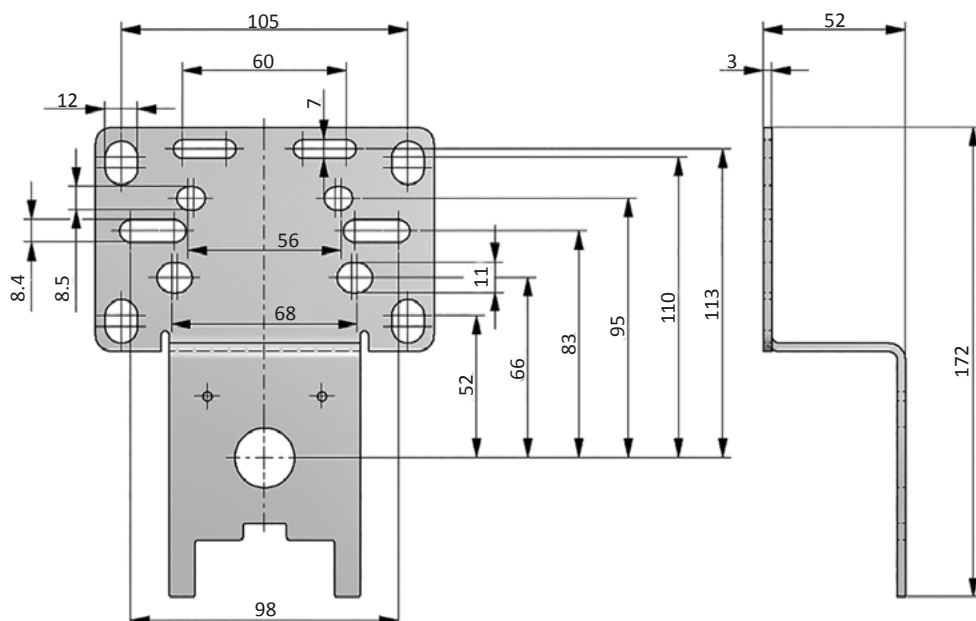
WYP-01



WYP-02



WYP-03

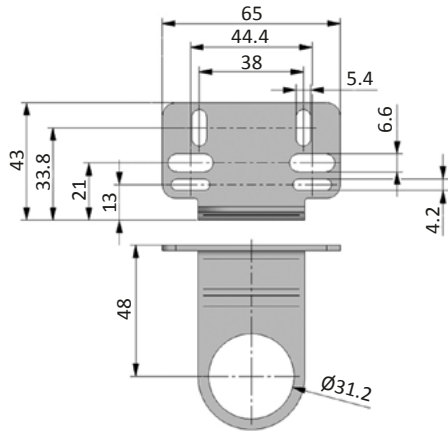


Fastening elements

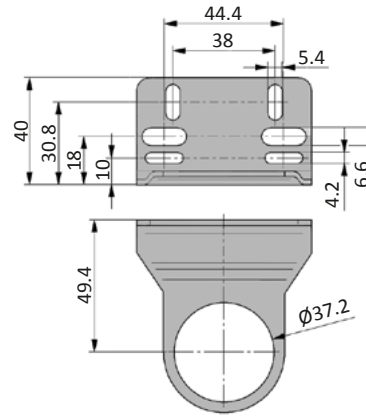
Mounting brackets WYL

Mounting brackets made of zinc coated steel. Assembling with mounting nut (not included).

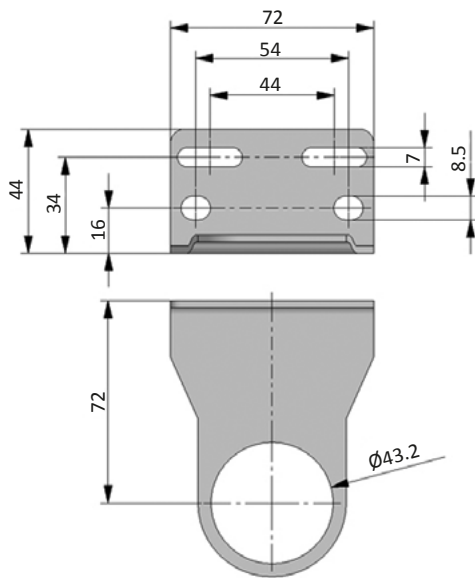
WYL-00



WYL-01



WYL-02



Coupling kits KPY-K

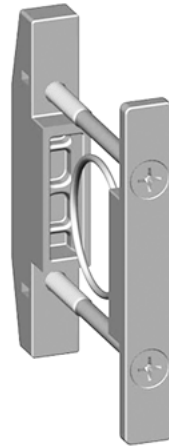
KPY-00-K, KPY-01-K



KPY-02-K

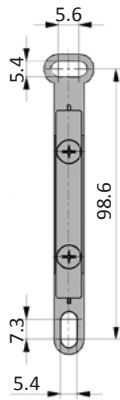
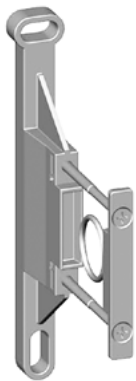


KPY-03-K

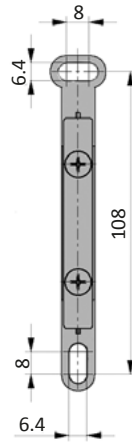
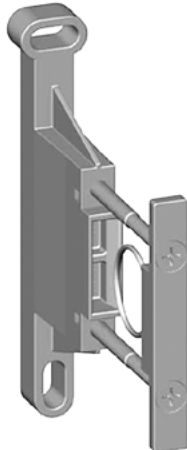


Coupling kits for wall mounting KPY-W

KPY-00-W, KPY-01-W



KPY-02-W



KPY-03-W

